



AT-LNA-0003-5701X

100MHz-3.5GHz Low Noise Amplifier

100MHz-3.5GHz Low Noise Amplifier

2022-7-1

High Gain=57dB, NF=1dB



Product Overview

AT-LNA-0003-5701X is high gain low noise amplifier with 57dB gain with NF=1dB in the frequency of 100MHz-3.5GHz. The DC power requirement is +5V/200mA. The module is with SMA connector.

AT Microwave can provide all kinds of coaxial low noise amplifiers, with frequency from 0.01-67GHz, gain from 20 to 60dB, Pout from +5 to +27dBm, and connectors from SMA to 1.85mm.

More information, visit www.atmicrowave.com

Advantages

- ✓ Frequency: 30MHz-3.5GHz
- ✓ Small signal gain: 57dB
- ✓ NF=1dB
- ✓ Single Power Supply

Application

- ✓ 5G Communication
- ✓ Test Equipment
- ✓ ROF (RF Over Fiber)
- ✓ Radar System

Key Features

Parameter	Min	Typical	Max
Frequency		100MHz-3.5GHz	
Gain	55dB	57 dB	
Gain Flatness (0.1-3GHz)		+/-2dB	+/-4dB
NF(0.1-3GHz)		1dB	1.5dB
P1dB		+18dBm	
Drain Supply		+5V	+8V
Current		200 mA	
Input Return Loss		-10dB	
Output Return Loss		-10dB	
Spec Temp		25C	





AT-LNA-0003-5701X

100MHz-3.5GHz Low Noise Amplifier

Mechanical Information

Item	Description
Input Port	SMA Female
Output Port	SMA Female
Case Material	Copper
Finish	Gold Plated
Weight	50g
Size:	See outline

Absolute Maximum Ratings Table

Parameter	Value
Drain Supply	+13V
RF Input Power	+15 dBm
Operating Temperature (Note)	-20 to + 70C
Storage Temperature	-65 to +150C

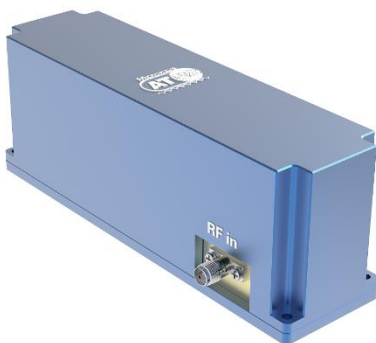
Note:-40 to +85C is available according to request.

Notes:

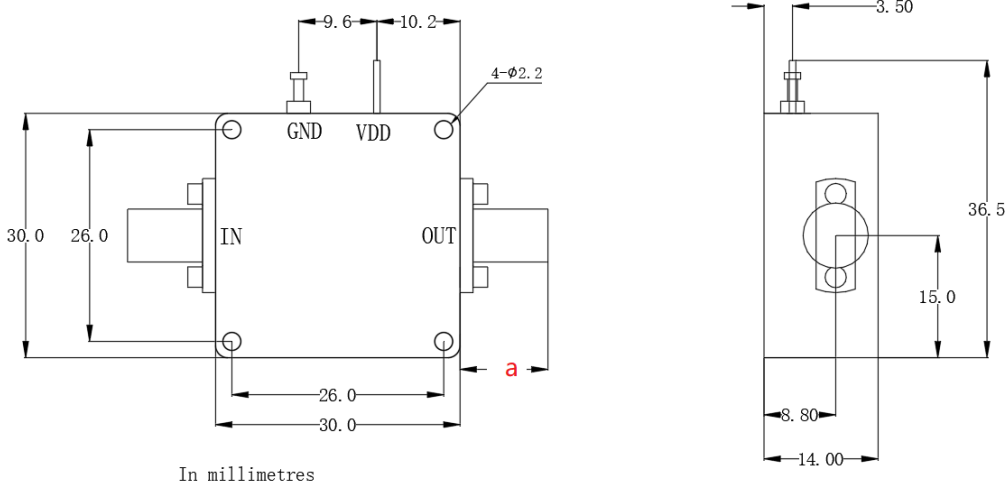
1. Datasheet may be changed according to update of MMIC, Raw materials , process, and so on.
2. This data is only for reference, not for guaranteed specifications.
3. Please contact AT Microwave team to make sure you have the most current data.

Part Number Selection Guide

Item	Description
PN	Standard Module with DC Power Supply
PN-LCBT	L ow Cost, C ompact B ench- T op, +220V Supply with AC/DC Adapter



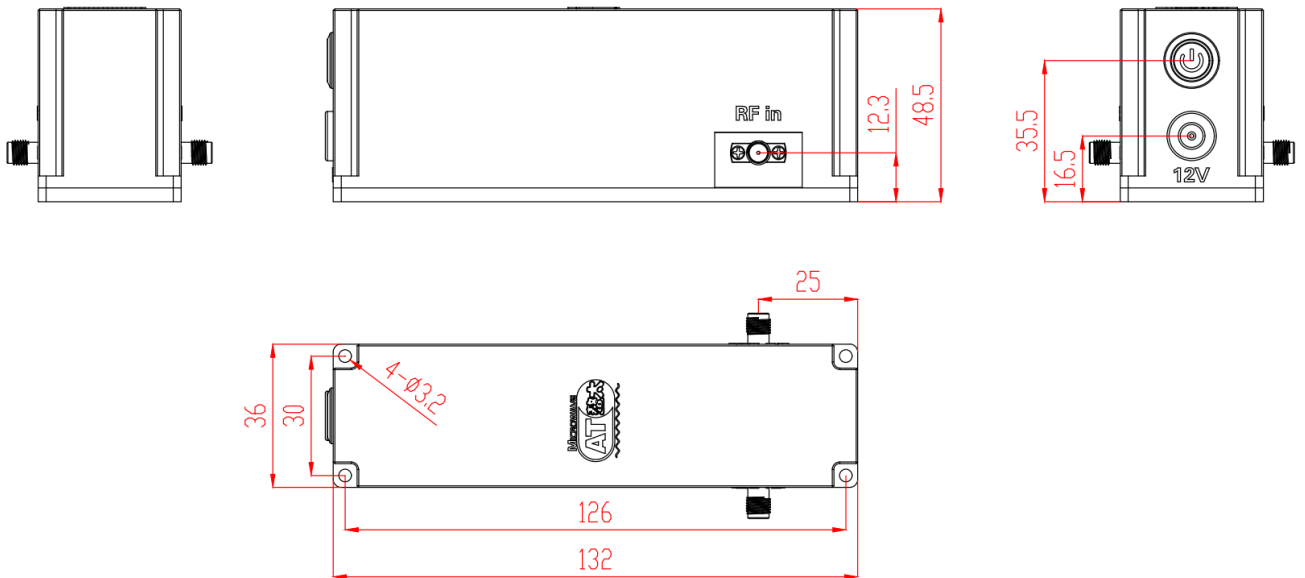
Dimension: (unit in mm)



	<26.5GHz	<40GHz	<50GHz	<67GHz
Connector	SMA	2.92mm	2.4mm	1.85mm
Length of a	9.4mm	9.5mm	10.8mm	11.3mm

Note: Female Default. Contact with us for other types.

Heatsink required if case temp over 50C



PN-LCBT Outline

